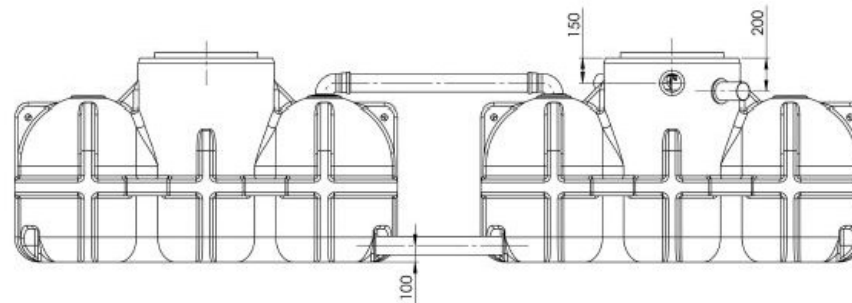
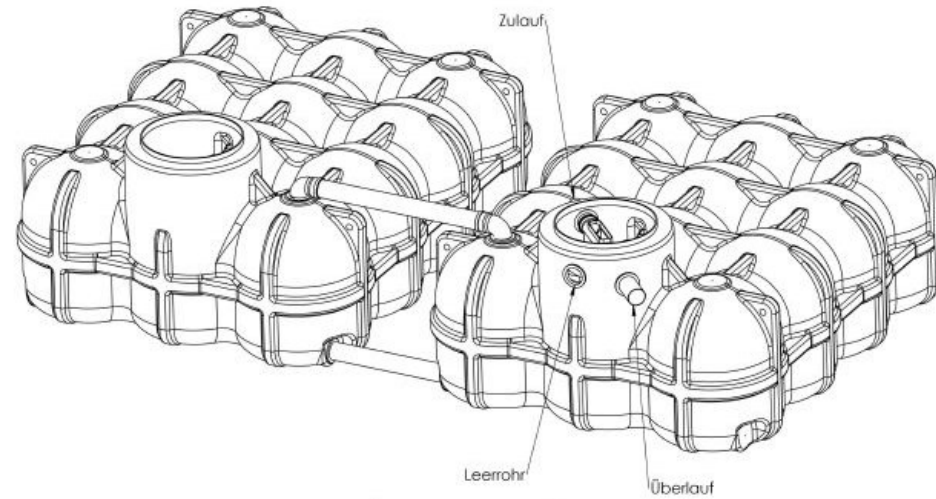
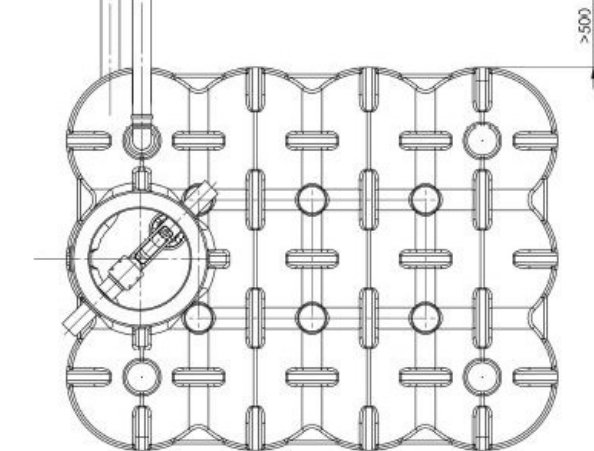
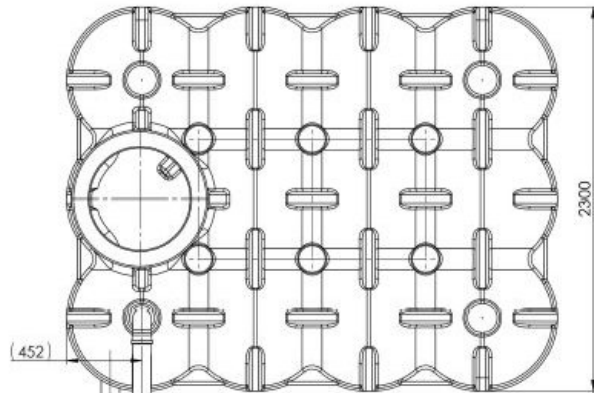
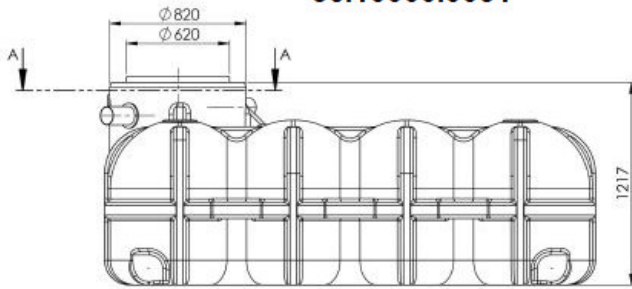


Hudson 10000 L o.PS WSP
35.10000.0031



A-A (1 : 10)

